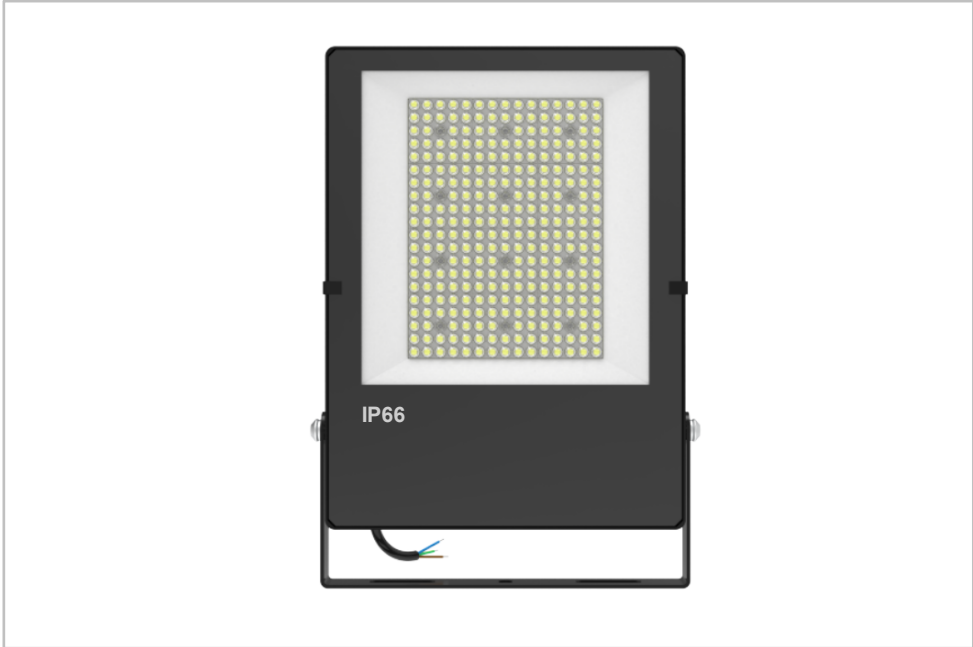


TG08-Series



KEY ADVANTAGES

- A variety of professional light distribution options
- The differentiated appearance design is flexibly used in the application places
- Cost-effective and very competitive solution offers an industry-leading lux and significant energy savings
- Various mounting options and inclination possibilities on-site for optimal photometry
- Tempered glass cover to effectively reduce UV damage on the lens
- Real beneficial LED alternative to HID floodlights for high-power applications
- Modular combination, multiple power options with complete wattage

TYPES OF APPLICATION

- BUILDING LIGHTING
- AREA LIGHTING
- RECREATIONAL SPORTS LIGHTING
- ACCENT LIGHTING
- PARKING LOTS



SPORT FACILITIES



CAR PARKS



GENERAL INFORMATION

Driver included	Yes
CE mark	Yes
RoHS compliant	Yes
Safety features	Open circuit protection Short circuit protection Overvoltage protection
Testing standard	LM-79 -19 (all measurements in ISO17025 accredited laboratory)

HOUSING AND FINISH

Housing	Aluminium
Protector	Glass
Glass	Tempered glass
Respirator	Yes
Housing finish	Electrostatic polyester powder coating
Standard colour(s)	RAL 9017 black
Tightness level	IP 66
Impact resistance	IK 07

OPERATING CONDITIONS

Operating temperature range (Ta)	-30°C to + 45°C
Operating Humidity	10-90%RH
Mounting Option	Bracket Mounting
Warranty	5 years

PERFORMANCE

Power	100W/150W/200W/ 240W/300W/480W
Efficacy	130lm/W
Power Efficiency	≥90%
Start Time	≤0.2S

ELECTRICAL INFORMATION

Electrical class	Class I EU
Nominal voltage	120-277V 50/60Hz
Power factor (at full load)	0.9
Surge protection options (kV)	(<50W) 4KV-Line-Line (<50W) 4KV-Line-Earth (>50W) 6KV-Line-Line (>50W) 6KV-Line-Earth
Electromagnetic compatibility (EMC)	EN 55015:2019/A11:2020, EN 61000 3-2:2019, EN 61000-3-3:2013, EN 61547:2009, EN 62493:2015
Total Harmonic Distortion(THD)	IEC 61000-3-2 Class C <20%
Driver Type	Constant current(CC)
Flicker	Yes
For fixed Class 1 luminaires, overvoltage protective devices which comply with IEC 61643-11 shall be disconnected from the circuit.	
withstand voltage	1.5KV 60S 10mA

※Lamp switch must control L line or control L and N lines.

OPTICAL INFORMATION

LED Type	SMD3030
Beam Angle	30° / 60° / 90° / 120° / T2 / T3 / T4
Recommended installation height	4m to 12m
Color Tolerance	Ra70 ≤7 Ra80 ≤5
LED colour temperature	3000K / 4000K / 5000K / 5700K / 6500K
Colour rendering index (CRI)	CRI>70 standard CRI>80 optional
Upward Light Output Ratio (ULOR)	0%

※Ra measurement tolerance is ±2.

LIFETIME OF THE LEDS @ TA 25°C

All configurations	
L70B10	>100,000h
L80B10	>50,000h
L90B10	>30,000h
Switching Cycles	>100,000 times

STANDARD VERSION

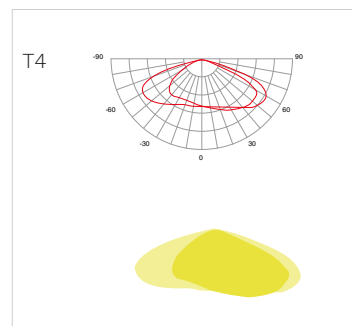
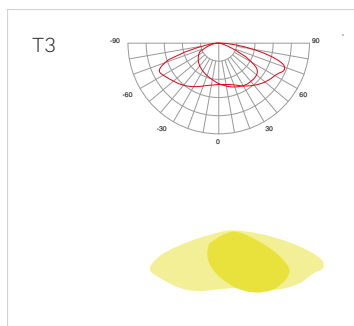
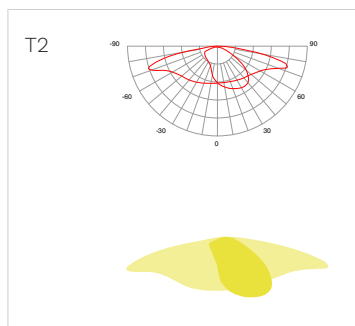
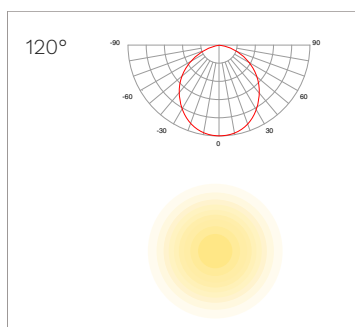
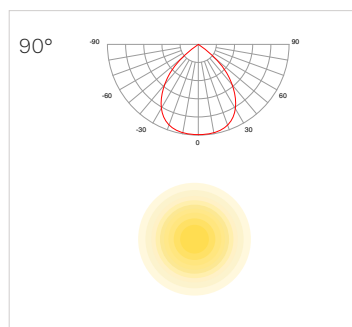
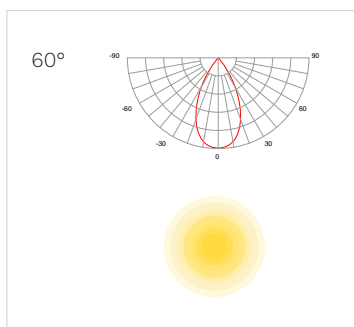
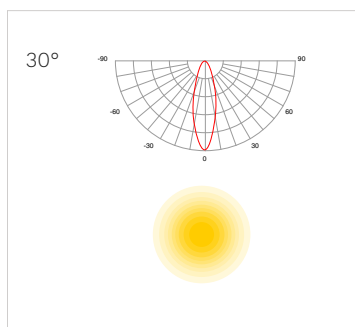
POWER	LUMENS	EFFICACY
100W	13,000LM	130LM/W(Ra70)
	12,000LM	120LM/W(Ra80)
150W	19,500LM	130LM/W(Ra70)
	18,000LM	120LM/W(Ra80)
200W	26,000LM	130LM/W(Ra70)
	24,000LM	120LM/W(Ra80)
240W	31,200LM	130LM/W(Ra70)
	28,800LM	120LM/W(Ra80)
300W	39,000LM	130LM/W(Ra70)
	36,000LM	120LM/W(Ra80)
480W	62,400LM	130LM/W(Ra70)
	57,600LM	120LM/W(Ra80)

- ※The Performance Data is tested base on 230VAC, 90° and 4000K for all versions
- ※Power Consumption Tolerance ±5% (Apply to all versions)
- ※Lumen Efficiency Tolerance ±5% (Apply to all versions)
- ※Asymmetrical light distribution Reduced light efficiency by 10LM/W
- ※30 degrees beam angle Reduced light efficiency by 5LM/W

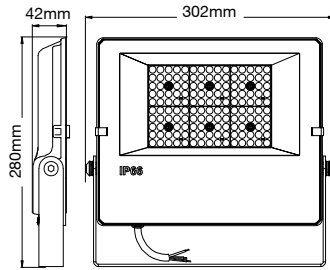
PACKAGING

POWER	PACKAGE SIZE	QTY/CTN	SINGLE PIECE VOLUME	NET WEIGHT	GROSS WEIGHT	20GP	40HQ
100W	L335*W310*H315mm	5PCS/CTN	0.0327m ³	2.1kg	11.8kg	4422pcs	10374pcs
150W	L335*W320*H385mm	5PCS/CTN	0.0413m ³	2.6kg	14.7kg	3790pcs	8844pcs
200W	L335*W340*H445mm	5PCS/CTN	0.0507m ³	3.3kg	18.3kg	2992pcs	7182pcs
240W	L390*W340*H530mm	5PCS/CTN	0.0703m ³	5kg	27.4kg	2227pcs	5206pcs
300W	L390*W340*H530mm	5PCS/CTN	0.0703m ³	5kg	27.4kg	2227pcs	5206pcs
480W	L735*W575*H145mm	1PCS/CTN	0.0613m ³	14.3kg	15.9kg	485pcs	1232pcs

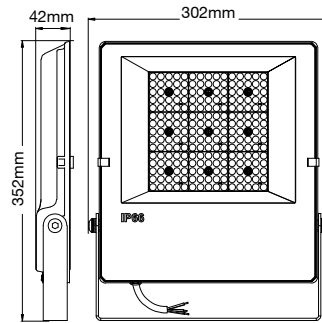
LIGHT DISTRIBUTIONS



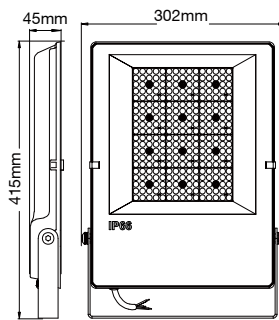
100W



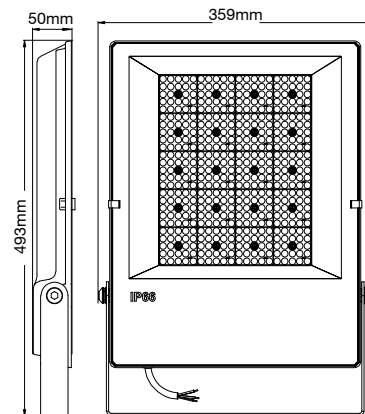
150W



200W



240W/300W



480W

